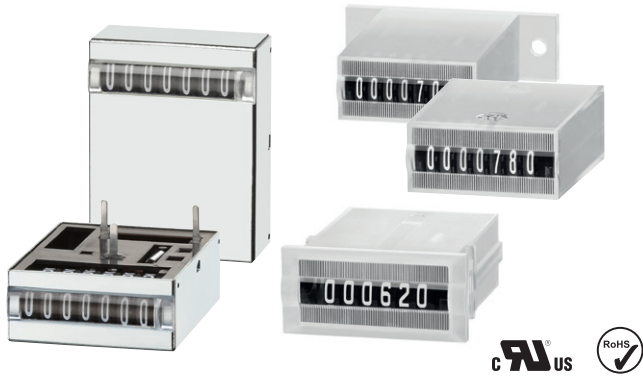


Pulse counters, electromechanical

Micro counters **High shock resistance (AC+DC)** **K04 ... K07 / AK07**



The micro adding counter families K04 to K07 and AK07 are available in a very wide variety of models and can be used in both DC as well as in AC applications. As panel mount, base mount and PCB mount counters with a very high level of shock resistance they can be used for numerous diverse application areas.



Characteristics

- Low power consumption; suitable for battery operation.
- Very compact size, large optical figures.
- Different viewing possibilities.
- Panel mount counter with moulded spring clips, base mount counter with screw fixing or PCB mount versions.
- Version with additional magnetic shielding thanks to sheet-steel enclosure (K0X.40 and K0X.50).

Benefits

- Machine solderable and washable.
- Stores values if power fails.
- High shock resistance, long service life, IP65 protection.

Applications

General quantity counting, alarm systems, coin-operated machines, electricity meters, vending and slot machines, photocopiers, medical equipment, car washes.

Type series

Fig.	Mounting options	Display	Housing	IP protection	4 digits	5 digits	6 digits	7 digits
1)	Panel mount with latch	front side	plastic	front side	K04.20	K05.20	K06.20	K07.20
2)	PCB mount, lying	on the top	sheet steel	–	K04.40	–	–	K07.40
3)	PCB mount, hanging	front side	sheet steel	–	–	–	–	K07.50
4)	PCB mount, upright	front side	plastic	front side	–	–	K06.80	K07.80
5)	PCB mount, lying	on the top	plastic	front side/on rear	–	–	–	K07.90
6)	Base mount, upright	front side	plastic	front side	–	–	–	AK07.00

Order information
 - Art. no.
 - For options please give exact counter type, voltage and options e.g.:
 K06.20 – 9 V DC/0 – temperature range -20 °C ... +70 °C [-4 °F ... +158 °F]

Mounting options and position of the display

1) Panel mount
display front side

2) PCB mount, lying
display on the top

3) PCB mount, hanging
display front side

4) PCB mount, upright
display front side

5) PCB mount, lying
display on the top

6) Base mount upright
display front side

Optional: PCB mount, upright
display front side, IP65

Pulse counters, electromechanical

Micro counters	High shock resistance (AC+DC)	K04 ... K07 / AK07
-----------------------	--------------------------------------	---------------------------

Accessories				
		Type / size	Description	Order no.
Gasket counter		32 x 15 mm [1.26 x 0.59]	for cut-out 27 x 13 mm, suitable for K06.20 and K07.20	N511058

Technical data		
Electrical connection	panel mount, base mount	flying leads, AWG 22 approx. 150 mm [5.91"], 6 mm [0.24"] stripped wire ends, tinned PCB mount solder pins \varnothing 0.4 x 1.2 mm [0.016 x 0.047"]
Power consumption (at 20 °C [68 °F] and normal voltage)	at 10 Hz (type 0)	approx. 50 mW
	at 25 Hz (type 1)	approx. 250 mW
	at 10 Hz (type a0)	approx. 800 mVA
Rated voltage	type 0	1.5/3/4.5/5/6/12/ 24 V DC, -10 %, +20 %
	type 1	3/4.5/5/6/12/24 V DC, \pm 10 %
	type a0	12/24/115/230 V AC, \pm 10 %
Counting frequency		max. 10 and 25 Hz
Pulse duration	at 10 Hz (type 0 and a0)	min. 50 ms
	at 25 Hz (type 1)	min. 20 ms
Pulse interval	at 10 Hz (type 0 a0)	min. 50 ms
	at 25 Hz (type 1)	min. 20 ms
Cycle duration factor		100 %
Number of digits		4, 5, 6 and 7
Counting system		adding
Height of figures	K04, K06, AK06	4 x 1.7 mm [0.16 x 0.067"] optical
	K05, K07, AK07	4 x 1.2 mm [0.16 x 0.047"] optical
Color of figures		white on black
Reset		no reset
Operating temperature		-10 °C ... +60 °C [+14 °F ... +140 °F] (non-condensing)
Relative humidity at +30 °C [+86 °F]		\leq 80 % (non-condensing)
Altitude		up to 2000 m [6562']
Mounting position		horizontal, other on request
Soldering temperature		265 °C [+509 °F], 3 s
Operating life		$>$ 50 x 10 ⁶ pulses
Solderable and wash proof types		K0X.92, K06.90, K07.90
Protection	K0X.92, K0X.90	IP65
	AK0X.00, K0X.80, K0X.20	IP65 (only front side)
	other types	depending on kind of mounting
Housing		PC (Polycarbonate), transparent or sheet steel types (see table) with IP65 protection, fully sealed (potted)
Weight		15 ... 18 g [0.53 ... 0.63 oz]
Device safety	designed to protection class application area	EN 61010 part 1 2 pollution level 2

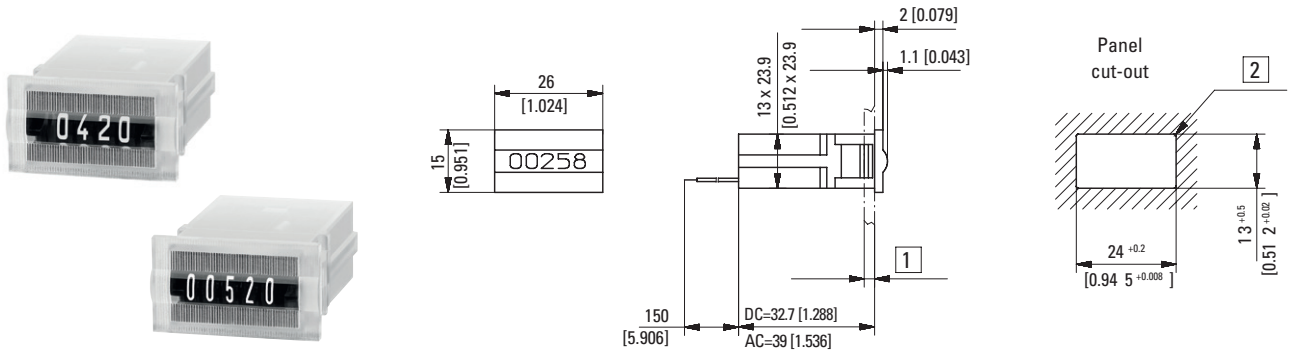
Options	
K0x.20	flat pin 0.5 x 2.8 mm [0.020 x 0.11"] Art. no.: 1.1X7.XX0.XXX flat pin 0.4 x 1.2 mm [0.016 x 0.047"] Art. no.: 1.1X9.XX0.XXX
	<ul style="list-style-type: none"> • different voltages • version not potted • different figure colors • different lengths of flying leads • different connections • different temperature range, depends on version -30 °C ... +85 °C [-22 °F ... +185 °F] or -20 °C ... +70 °C [-4 °F ... +158 °F]

Approvals	
UL compliant in accordance with	File no. E128604
CE compliant in accordance with	
EMC Directive	2014/30/EU
RoHS Directive	2011/65/EU
Low Voltage Directive	2014/35/EU
UKCA compliant in accordance with	
EMC Regulations	S.I. 2016/1091
RoHS Regulations	S.I. 2012/3032
Low Voltage Regulations	S.I. 2016/1101

Pulse counters, electromechanical

Micro counters **High shock resistance (AC+DC)** **K04 ... K07 / AK07**

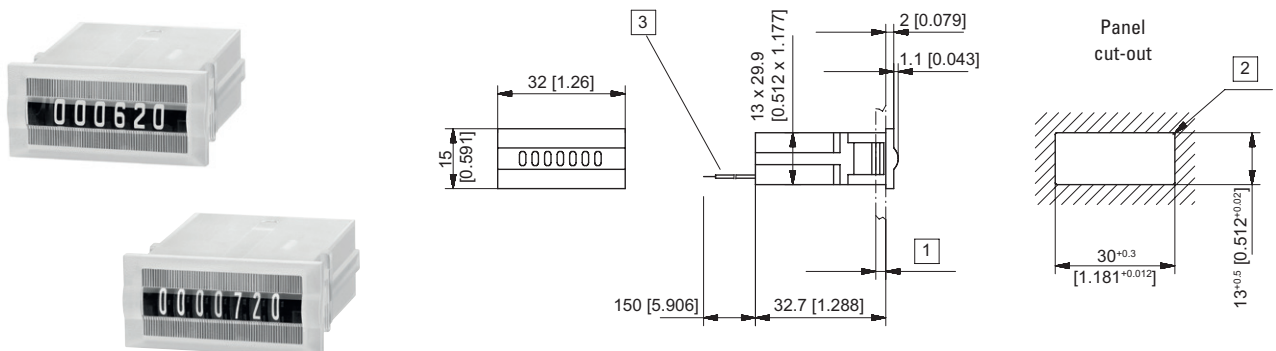
Panel mount counter
4- and 5-digit display front side
Type K04.20 / K05.20



1) 1.2 ... 3 [0.047 x 0.12] 2) R_{max} 0.5 [0.020]

Type	Voltage	Display	Art. no.							
			3 V	4.5 V	12 V	24 V	115 V	230 V		
K04.20	DC (10 Hz) / 0	4 digits	1.100.200.006	1.100.200.008	on request	on request	1.100.200.054	1.100.200.056		
	DC (25 Hz) / 1								1.100.200.032	1.100.200.033
	AC (10 Hz) / a0								1.100.200.051	1.100.200.055
K05.20	DC (10 Hz) / 0	5 digits	1.110.200.006	1.110.200.008	on request	1.110.200.013 ¹⁾	1.110.200.054	1.110.200.056 ¹⁾		
	DC (25 Hz) / 1								1.110.200.032	1.110.200.033
	AC (10 Hz) / a0								1.110.200.051	1.110.200.055 ¹⁾

Panel mount counter
6- and 7-digit display front side
Type K06.20 / K07.20



1) 1.2 ... 3 [0.047 x 0.12] 2) R_{max} 0.5 [0.020]

Type	Voltage	Display	Art. no.							
			3 V	4.5 V	12 V	24 V	115 V	230 V		
K06.20	DC (10 Hz) / 0	6 digits	1.120.200.006	1.120.200.008	on request	1.120.200.013	1.120.200.054	1.120.200.056		
	DC (25 Hz) / 1								1.120.200.032	1.120.200.033
	AC (10 Hz) / a0								1.120.200.051	1.120.200.055
K07.20	DC (10 Hz) / 0	7 digits	1.130.200.006	1.130.200.008	1.130.200.012 ¹⁾	1.130.200.013	1.130.200.054 ¹⁾	1.130.200.056		
	DC (25 Hz) / 1								1.130.200.032 ¹⁾	1.130.200.033 ¹⁾
	AC (10 Hz) / a0								1.130.200.051	1.130.200.055 ¹⁾

Pulse counters, electromechanical

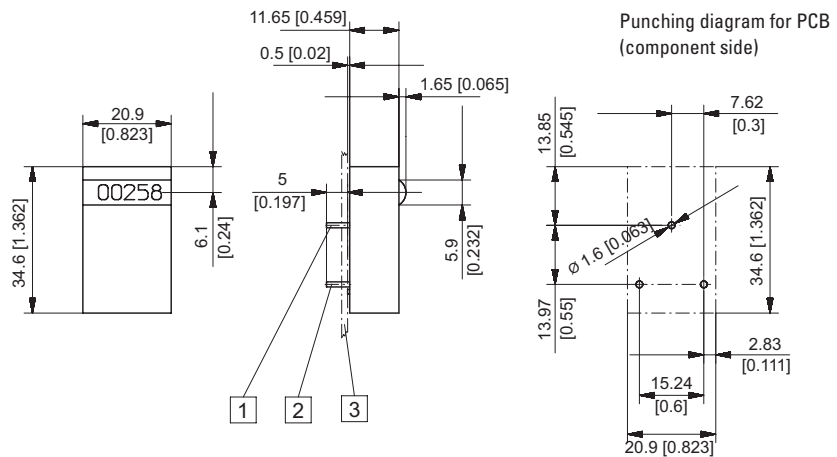
Micro counters

High shock resistance (AC+DC)

K04 ... K07 / AK07

PCB mount, lying
4-digit display on the top
Type K04.40

Color of housing blue (zinc-plated)



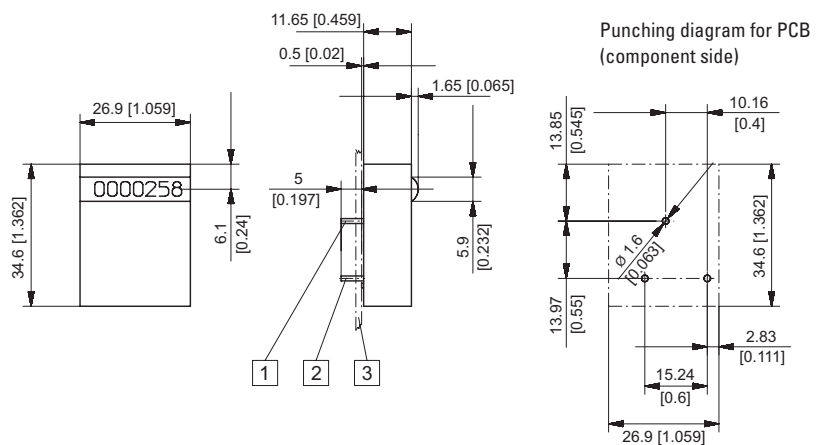
1) Mounting pin without el. function 0.4 x 1.2 [0.016 x 0.047]

2) Coil connections 0.4 x 1.2 [0.016 x 0.047] 3) PCB

Type	Voltage	Display	Art. no.			
			3 V	4.5 V	12 V	24 V
K04.40	DC (10 Hz) / 0	4 digits	1.100.401.006	1.100.401.008	on request	on request
	DC (25 Hz) / 1				1.100.401.032	1.100.401.033

PCB mount, lying
7-digit display on the top
Type K07.40

Color of housing blue (zinc-plated)



1) Mounting pin without el. function 0.4 x 1.2 [0.016 x 0.047]

2) Coil connections 0.4 x 1.2 [0.016 x 0.047] 3) PCB

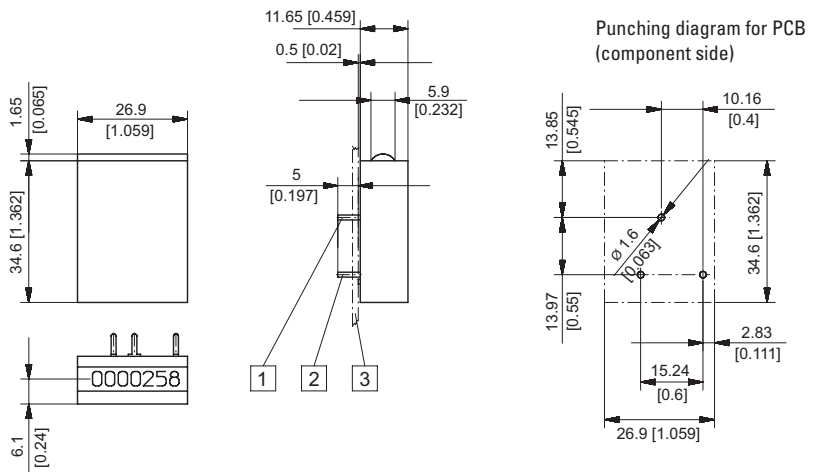
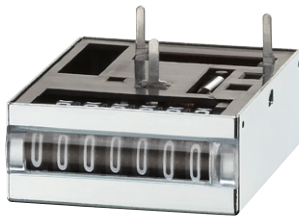
Type	Voltage	Display	Art. no.			
			3 V	4.5 V	12 V	24 V
K07.40	DC (10 Hz) / 0	7 digits	1.130.401.006	1.130.401.008 ¹⁾	on request	on request
	DC (25 Hz) / 1				1.130.401.032	1.130.401.033

Pulse counters, electromechanical

Micro counters **High shock resistance (AC+DC)** **K04 ... K07 / AK07**

PCB mount, hanging
7-digit display front side
Type K07.50

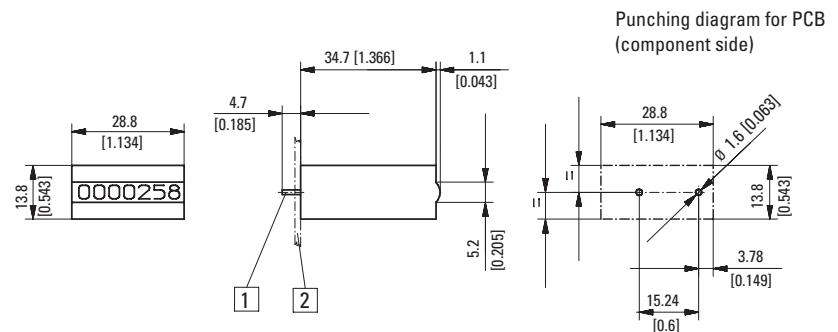
Color of housing blue (zinc-plated)



- 1) Mounting pin without el. function 0.4 x 1.2 [0.016 x 0.047]
 2) Coil connections 0.4 x 1.2 [0.016 x 0.047] 3) PCB

Type	Voltage	Display	Art. no.			
			3 V	4.5 V	12 V	24 V
K07.50	DC (10 Hz) / 0	7 digits	1.130.501.006	1.130.501.008	on request	on request
	DC (25 Hz) / 1				1.130.501.032	1.130.501.033

PCB mount, upright
6- and 7-digit display front side
Type K06.80 / K07.80



- 1) Coil connections 0.4 x 1.2 [0.016 x 0.047] 2) PCB

Type	Voltage	Display	Art. no.							
			3 V	4.5 V	12 V	24 V	115 V	230 V		
K06.80	DC (10 Hz) / 0	6 digits	1.120.800.006	1.120.800.008	on request	on request				
	DC (25 Hz) / 1				1.120.800.032	1.120.800.033				
	AC (10 Hz) / a0					1.120.800.051	1.120.800.054	1.120.800.056		
K07.80	DC (10 Hz) / 0	7 digits	1.130.800.006	1.130.800.008	on request	on request				
	DC (25 Hz) / 1				1.130.800.032 ¹⁾	1.130.800.033				
	AC (10 Hz) / a0					1.130.800.051	1.130.800.054	1.130.800.056		

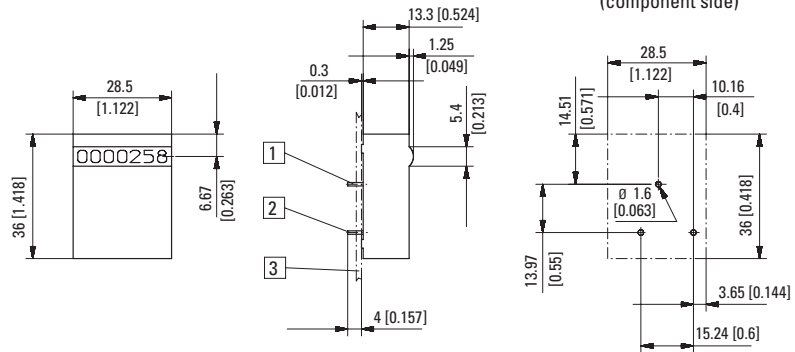
Pulse counters, electromechanical

Micro counters

High shock resistance (AC+DC)

K04 ... K07 / AK07

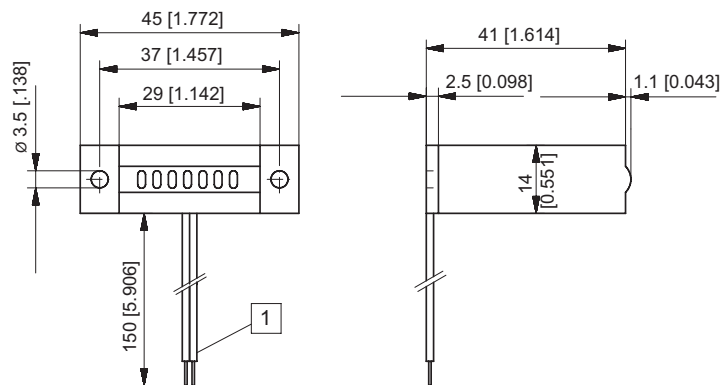
PCB mount, lying
7-digit display on the top
Type K07.90



- 1) Mounting pin without el. function 0.4 x 1.2 [0.016 x 0.047]
 2) Coil connections 0.4 x 1.2 [0.016 x 0.047] 3) PCB

Type	Voltage	Display	Art. no.					
			3 V	4.5 V	12 V	24 V	115 V	230 V
K07.90	DC (10 Hz) / 0	7 digits	1.130.900.006	1.130.900.008	1.130.900.012 ¹⁾	on request		
	DC (25 Hz) / 1				1.130.900.032	1.130.900.033		
	AC (10 Hz) / a0					1.130.900.051	1.130.900.054	1.130.900.056

Base mount, upright
7-digit display front side
Type AK07.00



- 1) Flying leads (red+ / black-)

Type	Voltage	Display	Art. no.					
			3 V	4.5 V	12 V	24 V	115 V	230 V
AK07.00	DC (10 Hz) / 0	7 digits	1.130.000.006	1.130.000.008	1.130.000.012	1.130.000.013		
	DC (25 Hz) / 1				1.130.000.032	1.130.000.033		
	AC (10 Hz) / a0					1.130.000.051	1.130.000.054	1.130.000.056 ¹⁾